

MagicJumBO series

Model: DD-9000PCM

PCMCIA duplicator

Operating Manual

Wytron Technology Co., Ltd.

August, 2003

**Copyright ©2003 by Wytron Technology Co. Ltd.
All Rights Reserved.**

This product, which consists of the product itself, parts and the documentation, may not, in whole or in part, be copied, photocopied, translated or reproduced to any electronic media or any other form without prior written consent from Wytron Technology Co., Ltd..

Under no circumstance would Wytron be liable for direct, indirect, special, incidental, or consequential damages arising out of the use or inability to use this product. Wytron shall not be liable for any hardware damage arising from use of the product, such as the costs of repairing, replacing, or recovering such hardware.

Table of Content

INTRODUCTION	4
CAUTION	5
FEATURES	6
SPECIFICATION	7
INSTALLATION	8
OPERATION	10
FUNCTION EXPLANATION	11
<i>Operation</i>	<i>11</i>
<i>Copy</i>	<i>12</i>
<i>Copy + comp</i>	<i>12</i>
<i>Compare</i>	<i>12</i>
<i>Qik Copy</i>	<i>12</i>
<i>Q CopyComp</i>	<i>12</i>
<i>Qik Comp</i>	<i>13</i>
<i>Abort</i>	<i>13</i>
<i>Reset</i>	<i>13</i>
<i>Update</i>	<i>13</i>
<i>Monitoring on PC</i>	<i>15</i>
CIRCUIT DRAWING	16
APPENDIX	18

Introduction

Wytron Technology Co., Ltd. thanks you for purchasing the **MagicJumbo** series PCMCIA duplicator and welcomes you into our user family. This product will surely help you with your PCMCIA duplicating needs.

This operation manual will show you how to use the **MagicJumbo** series PCMCIA duplicator. It includes the basic information regarding the product's features and the step-by-step procedures for using the **MagicJumbo** series PCMCIA duplicator. Please read this manual thoroughly to fully understand how to use this product and to avoid any mistakes.

Caution

All users of the ***MagicJumBO*** series PCMCIA duplicator must note that the machine is designed for fast and easy operation for **legal** duplications. You should not pirate or illegally duplicate materials on the DD-9000PCM unless you have the owner's permission to do so. ***Wytron Technology Co., Ltd.*** assumes no responsibility for how the MagicJumBO series PCMCIA duplicator is used.

All brand names mentioned in this operation manual are trademarks or registered trademarks of their respective owners.

Features

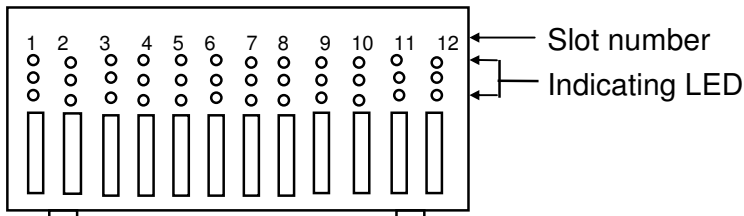
1. One slot for the master PCMCIA disc and eleven slots for target PCMCIA discs.
2. Stand-alone operation, meaning no other equipment is needed.
3. Simultaneously duplicates every target.
4. It is compatible with many operating systems, such as Windows 95/98/ME, Windows NT/2000/XP, MS-DOS, IBM-DOS, IBM OS/2 Warp, NEC, etc.
5. Max. bus transfer rate as high as 4GB/min.
6. Power auto-control. No output when operation terminated.
7. There are a variety of functions to suit your needs, such as COPY, COMPARE, COPY + COMPARE, etc.

Specifications

1. Display device: 20 x 2 LCD display.
2. Power supply: 350W
3. AC input: 115V/230V, 50Hz/60Hz switch
4. Net size: 330 x 205 x 440 mm
5. Packing size: 565 x 335 x 480 mm
6. Net weight: 12 kgs
7. Gross weight: 14.5 kgs
8. Standard accessory:
 - a. Power cord 1 piece
 - b. Operation manual 1 set
 - c. Control box and control cable 1 set

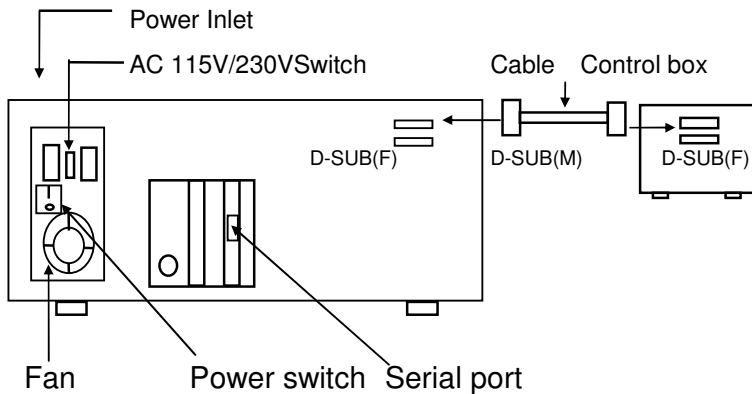
Installation

DD-9000PCM Front Panel



*** The Master PCMCIA disc will always be installed in slot no. 1.

DD-9000PCM Rear Panel



1. Check to see if the product is visibly damaged.
2. Unpack the DD-9000PCM and check the machine for obvious damage.
3. Use the proper voltage setting. **Using a wrong voltage setting will cause severe damage to the machine itself.** (The voltage setting switch 115/230V is located on the rear panel near to the fan of power supply).
4. Make sure you have all of the standard accessories.
5. Connect the power cord and control box correctly.
6. Switch on the power for testing. Turn off the power and study this manual thoroughly to gain a full understanding first or use it to find information to

solve problems. **Using the MagicJumBO improperly might cause severe damage. Ask your supplier for help if any problems arise.**

7. You can monitor the whole operation status by connecting the machine a to a computer through the serial port. By using any communicating program at the baud rate of 9600, with no parity, 8 bits length and 1 stop bit, you can get the information from the computer.

Operation

When preparing to use the master PCMCIA disc, carefully inspect the disc to avoid any bad sectors or tracks. Bad sectors or tracks that are found in the master PCMCIA disc will cause unknown results in the duplication process.

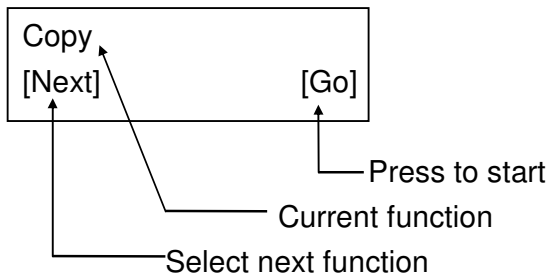
Please note that you should always use the identical PCMCIA drives in the DD-9000PCM to avoid any duplication trouble.

The functions that can be used to copy the PCMCIA disc are Copy, Copy + Compare. The Qik Copy, Qik copycomp and Qik copymvfy functions are reserved for other models of duplicators but they will still duplicate the PCMCIA discs by automatically switching to Copy or Copy + Compare functions.

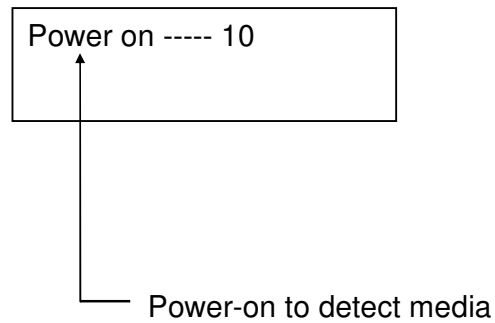
The Compare and Qik Compare functions will work if selected. However, the Qik Compare function is reserved for other models of the duplicator, so when you try to use the Qik compare function, it will automatically execute the Compare function instead. The compare function can be used to compare the master disc and the target PCMCIA disc.

Function explanations

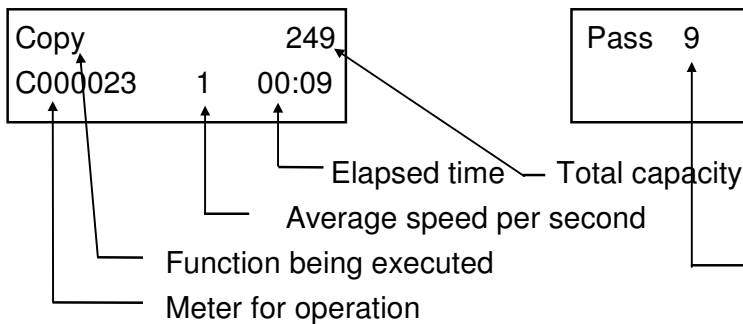
Operation



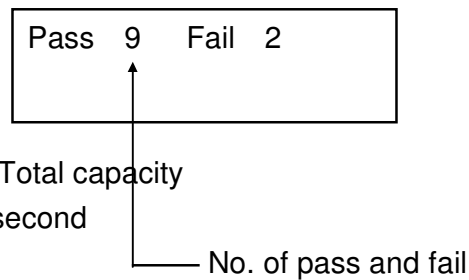
(Image 1)



(Image 2)



(Image 3)



(Image 4)

Press the left button under main menu to navigate the menu and the right button to execute the function. The illustrations above will show you how to use the menu.

When you first begin the duplication process, the LCD display will first detect the PCMCIA's parameter and show them on the LCD display after the power-on message (Image 2). After detecting the discs, the operation will begin and the LCD display will show the same screen as image 3. After the operation is finished, machine will show the passed and failed number on LCD display. The operator may also refer to the LED display on front panel for the pass/fail ratio since the Green LED represents a successful duplication and the Red LED represents a failure.

Copy

The copy function will copy the information from the master PCMCIA onto the target PCMCIA. Please note that you should use the same brand and model of PCMCIA disc to copy to avoid any problems.

Copy + comp

The copy + comp function will copy from the master PCMCIA disc onto the target PCMCIA disc. After the copying process is finished, machine will automatically compare the data from master PCMCIA to the data in the target PCMCIA disc. This is a combination of the Copy function and the Compare function. We recommend that you use the same type (brand/model) of PCMCIA disc when performing this function to avoid duplication problems.

Compare

The compare function will compare data between the master and target PCMCIA disc. Please note that you have to use the same brand and same model of PCMCIA disc to use the compare function.

Qik Copy

This function is reserved for other duplicator models and if selected, the machine will automatically switch to the Copy function and execute the copy function instead of the Qik Copy function. We recommend that you use the same type (brand/model) of PCMCIA disc when performing this function to avoid duplication problems.

Q CopyComp

This function is reserved for other duplicator models and if selected, the machine will automatically switch to the Copy and Compare function and execute the copy and compare function instead of the Q CopyComp function. We recommend that you use the same type (brand/model) of PCMCIA disc when performing this function to avoid duplication problems.

Qik Comp

This function is reserved for other duplicator models and if selected, the machine will automatically switch to the Compare function and execute the copy and compare function instead of the Qik Comp function. We recommend that you use the same type (brand/model) of PCMCIA disc when performing this function to avoid duplication problems.

Abort

During the menu operation, you can press the right button (Blue color) to terminate the operation.

Reset

Press left or right button and turn on the power of DD-9000PCM will bring you back the default setting on machine.

Update

This function performs the BIOS upgrade procedure on the MagicJumbo PCMCIA duplicator. To get to the "Update" function, you press and hold down the "Mode" button for more than 5 seconds. When you hear the da-da-da sound from the machine, release the button and this will take you from the main menu into the sub-menu. Press the "Mode" button once each time until the "Update" function appears on the LCD display. There are many functions, such as "Setup", "Scan data", etc. under the Sub-menu. Since they are functions designed for other machines, they are useless settings for DD-9000PCM. Do not modify them.

Users can contact Wytron by email at wytron@wytron.com.tw when required to obtain new release of firmware. When requesting new firmware, provide Model No., Serial No. & BIOS version of the PCMCIA duplicator.

First, the BIOS program will need to be unzipped into the xxxxxx.bin file. There are two ways to upgrade the BIOS version on the MagicJumbo PCMCIA duplicator:

- 1) By CD-ROM: Burn the xxxxxx.bin file into the root directory of a CD-R or CD-RW disc. The session must be closed. Take a CD-ROM reader and connect it to the master slot on PCMCIA duplicator (Remove the cable that connects to master slot of PCMCIA adapter from inside). Select the "Update" function and press the Go button. Load the CD disc with the updated BIOS program into the CD-ROM reader. After the CD is loaded, the duplicator will detect it automatically and upgrade the firmware accordingly. The duplicator will reboot automatically after the upgrade. Do not turn off the machine during this process or you will need to change the BIOS chipset manually to fix the machine.
- 2) Through hard drive: Create a small DOS partition, e.g. 5MB on the PC. Format that partition and store the xxxxxx.bin file in the root directory. Connect the hard drive to the master slot of PCMCIA duplicator (Remove the cable that connected to master slot of PCMCIA adapter from inside) and select the Update function. Press the Go button and the machine will detect the BIOS program from the hard drive and perform the upgrade automatically. The hard drive duplicator will reboot to complete the upgrade. Do not turn off the machine during the process or you will need to change the BIOS chipset manually to fix the machine.
- 3) Directly through the PCMCIA device: Put the xxxxxx.bin program into the PCMCIA media (we suggest that you leave only this file in the media) and select the Update function. Press the Go button and the machine will detect the BIOS program from the PCMCIA media and perform the upgrade automatically. The PCMCIA duplicator will reboot to complete the upgrade. Do not turn off the machine during the process or you will need to change the

BIOS chipset manually to fix the machine.

Monitoring on PC

Operation of the duplicator can be monitored by PC with a standard RS-232 communication port built-in on MagicJumbo PCMCIA duplicator.

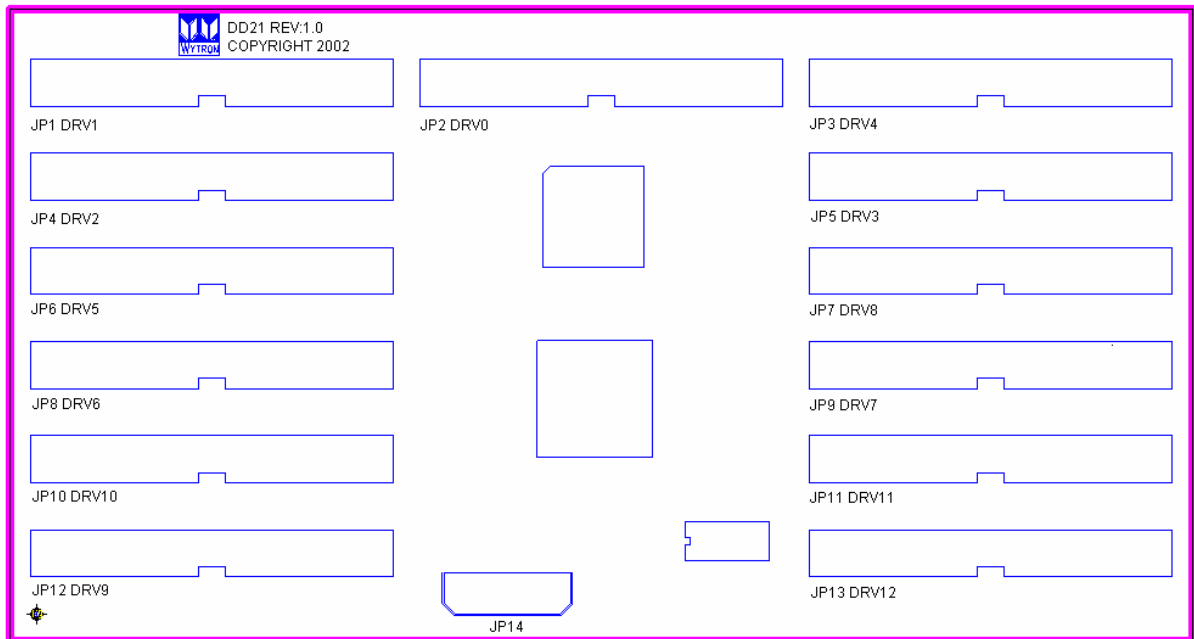
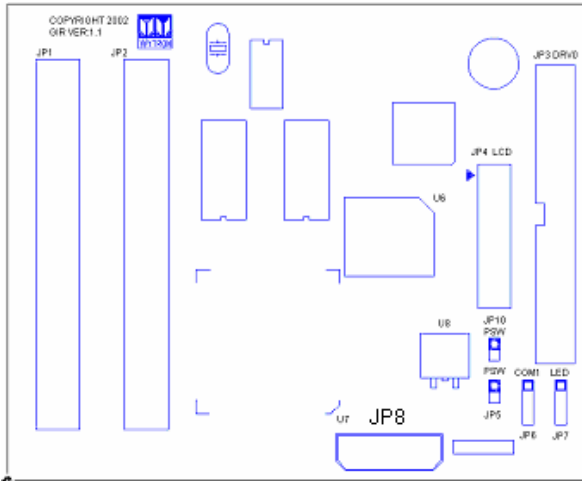
The linkage can be done through the RS-232 cable shipped with the duplicator. Switch off both the power of the duplicator and the PC. Connect one end of the cable to the COM port on the duplicator and the other to the COM1 or COM2 port on the PC. The monitoring software used on the PC can be any communicating program or the "Terminal" program built-in in MS Windows system.

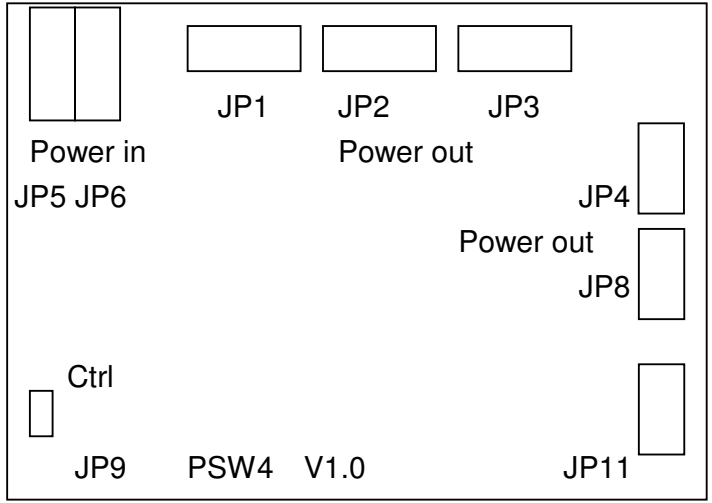
Open the "Terminal" program in MS windows. There will be a window pop-up to ask you to create a new linkage by specifying a name. For example, you could name the link JUMBO. After you input the name, another window will pop-up again asking for your Country, Phone & Communicating port, etc. Change the setting of communicating port to the correct port that connects to the duplicator (COM1 or COM2 port). Press Yes when the setting is finished. There will be another pop-up window to configure the communication parameters: use 9,600 baud-rate as the transfer rate, 8 for data length, None for parity check, 1 stop bit and none for flow control. With these settings, you should receive the message shown on the Terminal window through the RS-232 connection from the duplicator in operation.

Also you can store all the information into a text file. Click the "Transfer" button above the Terminal window and select the "Capture text" function. Name the text file and confirm by choosing Yes. Send this text file to us by e-mail for a quick evaluation of the problem that occurred during the duplication process.

Circuit Drawing

For DD-9000PCM:





PSW4 Power Controller card

Appendix