



**DVD Duplicator
CoolCopyD Series**

User's Manual

**CoolCopyD1AL(DVD-Backup)
CoolCopyD 3
CoolCopyD 7**

Table of Contents

Chapter 1 Introduction	4
1.1 Overview	4
1.2 Features	4
1.3 Specifications	4
Chapter 2 Installation Procedure	5
2.1 Controller only	5
2.2 Whole duplicator without writer installed	5
2.3 Completed duplication system	5
Chapter 3 Key Functions and Operating Instruction	8
Chapter 4 Function.....	9
4.1 Copy	9
4.2 Test	9
4.3 Test&Copy	10
4.4 Verify	10
4.5 Compare	11
4.6 Prescan	11
4.7 Disc Info	12
4.8 Select Source.....	12
4.9 Image	12
4.9.1 Load	13
4.9.2 Delete Image	13
4.9.3 Image Info	13
4.9.4 Compare Image	14
4.9.5 Select Partition	14
4.9.6 Select Src Drive	15
4.10 Edit Track	15
4.10.1 CD to CD Edit.....	16
4.10.2 CD to HD	17
4.10.3 Play Audio Track	18
4.10.4 Close Session	18
4.11 Setup.....	19
4.11.1 Language (optional).....	19
4.11.2 Burn Speed	19
4.11.3 Read Speed	19
4.11.4 Auto Start Drive	20
4.11.5 Start up menu	20
4.11.6 Auto Verify	20

4.11.7 Auto Compare	20
4.11.8 Auto Prescan	21
4.11.9 Eject Disc	21
4.11.10 Burn on The Fly	21
4.11.11 Burn Mode	21
4.11.12 Button Sound	22
4.11.13 Device Info	22
4.11.14 System Info	23
4.11.15 Quick Erase	23
4.11.16 Full Erase	23
4.12 Adv Setup.....	24
4.12.1 UnderRun Protect	24
4.12.2 Overburn	24
4.12.3 Read Error Skip.....	24
4.12.4 Format Hard Disk	24
4.12.5 Verify HDD	25
4.12.6 Burn-in.....	25
4.12.7 Update Firmware.....	25
4.12.8 Compare Firmware	26
4.12.9 H/W Diagnostic	26
4.12.10 Load Default	26
Chapter 5 Troubleshooting	27

Chapter 1 Introduction

1.1 Overview

People who want to create multiple copies of their DVDs or CDs usually take a long time to do so. They might not have enough DVD±RW drives or they might be using their computers for some other important tasks. The duplication process noticeably slows down a computer during the burn process. Rather than sit at the computer for hours duplicating discs one at a time, it is much more efficient to use a CoolCopyD DVD/CD duplication system.

The **CoolCopyD** DVD Duplicator system is a standalone duplicator and does not need to be connected to a computer. It can duplicate discs accurately and quickly. With its multi-function LCD panel, **CoolCopyD** DVD Duplicator is easy for any user to operate. It is a cost-efficient DVD-R duplicator for audio, data, and video applications. The simple control panel is designed to provide copy mode selection and copy operation.

1.2 Features

- Standalone IDE to IDE DVD Copy controller
- 2(CoolCopyD1AL(DVD-Backup)) / 4(CoolCopyD3) / 8(CoolCopyD7) / 16(CoolCopyD14) independent IDE channel
- Self system diagnostics when power on
- Supports Hard Drive image
- Auto format detection
- User friendly interface with message rich LCD display
- Fast copies supports high speed DVD-RW writing mode
- Easy operation without software and training are required
- Firmware upgrade via DVD-ROM

1.3 Specification

Power requirement – voltage: 5VB+/- 5%
Current: 0.5A Max.

Environment - Temperature
Operating 0° C to 70° C
Storage -20° C to 85° C

Humidity - 15% to 90%

Dimensions - Models: CoolCopyD3/CoolCopyD7
Length: 200 mm
Width: 146.2 mm
Height: 42 mm

Connectors - 40-pin internal IDE connector

Cable (Optional) - Using ATA-66 (*Cable of length do not use longer than 46cm)

DVD Format - DVD-ROM (Mode1 & Mode2), DVD-ROM/XA (Mode2 form1 & form2),
DVD-DA,
Mixed-Mode, Video DVD, DVD-I, Karaoke CD, Photo CD (Single & Multi-session), CD-Extra, HFS, CD Bridge, ISO9660, CD-R, and DVD±RW

Writing mode - Auto Detect (DAO, TAO)

Supported DVD-ROM Drive* - EPO, TEAC

Supported DVD-RW Drive* - Plextor, TEAC, Lite-On, Asus, SONY

Chapter 2 Installation Procedure

When you purchase the **CoolCopyD** DVD Duplicator, the package may be packaged in the following ways: controller only, whole duplicator without writer installed or a complete duplication system.

2.1 Controller only

1. Before the installation, please prepare the necessary devices as following:
 - DVD-ROM drive
 - DVD-R/RW drive
 - IDE case (2~10-bay chassis suggested).
 - Hard drive and mobile rack (IDE-bus hard drive-Option)
 - Switching power supply (300W suggested).
2. After the preparation as above and make sure:
 - All IDE devices must be in master mode.

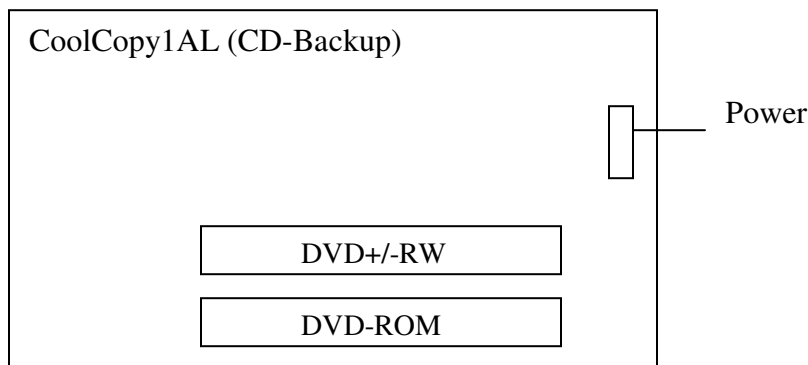
2.2 Whole duplicator without writer installed

- Unpack the duplicator.
- Prepare the DVD-R/RW writers according to the recommendation list. Please check with the supplier about compatibility issues regarding unlisted DVD-R/RW drives.
- Assemble the duplicator according to your need.
- Make sure that the voltage setting is correct.

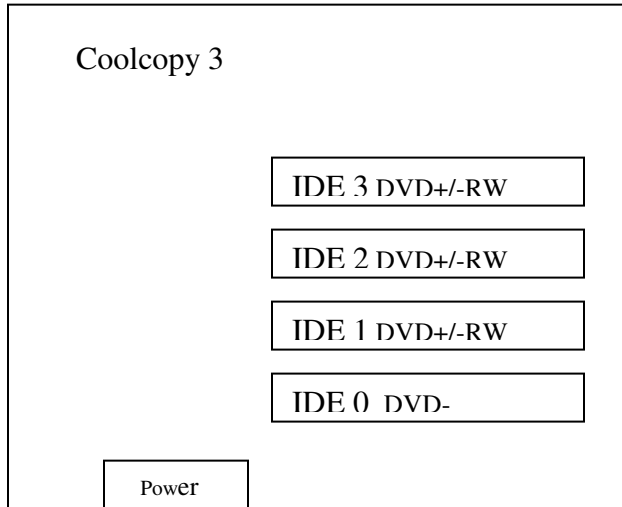
2.3 Completed duplication system

- Take the duplication system out of the package.
- Check the entire unit to see if there are any problems.
- Make sure that the voltage setting is correct.
- The hard drive is optional.

Hardware Connection of CoolCopyD1AL (DVD-Backup) without a HDD

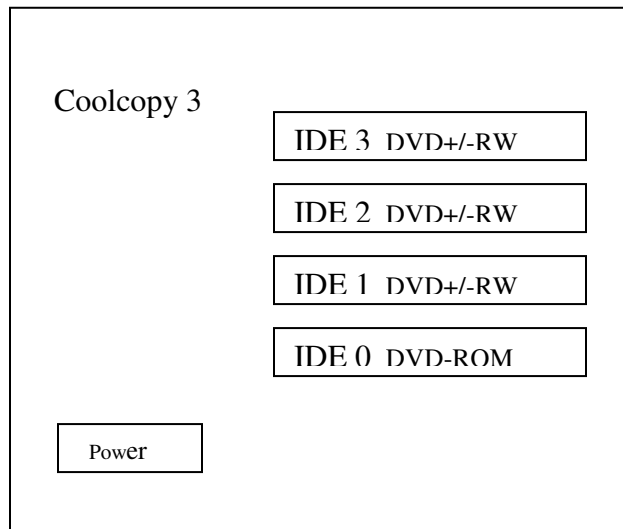


Hardware Connection with Hard Drive for CoolCopyD3

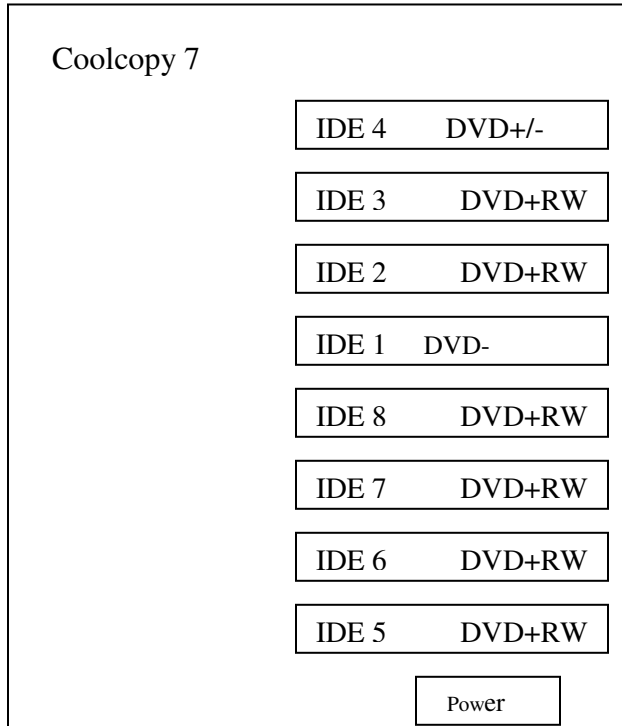


When the system connects with the hard drive, the hard drive must connect on the IDE 0 port with the "Master" setting and the DVD-ROM must set at "Slave".

Hardware Connection without Hard Drive for CoolCopyD3

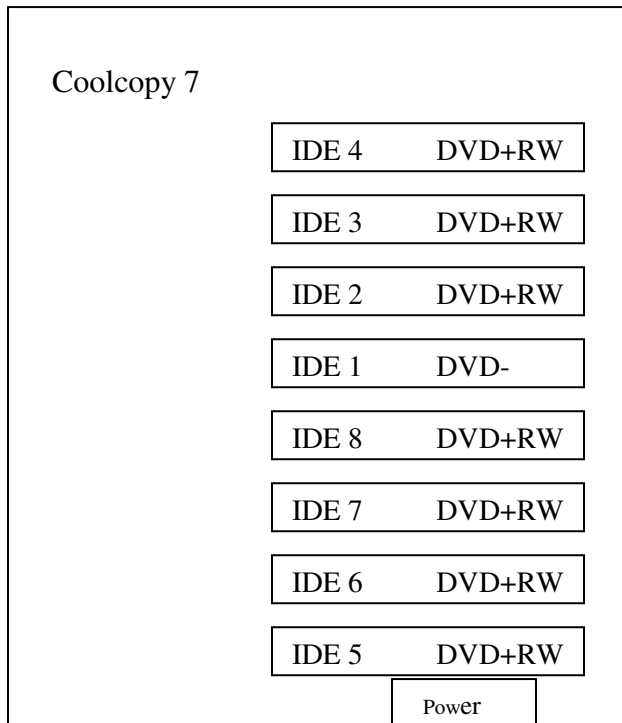


Hardware Connection with Hard Drive for CoolCopyD7



When the system has a hard drive connected, the hard drive must connect on IDE 0 port with "Master" setting and the DVD-ROM must set at "Slave."

Hardware Connection without Hard Drive for CoolCopyD7



Chapter 3 Key Functions and Operating Instruction

1. LCD Display Panel: Display main functions and all messages.
2. Scroll up through menus or functions.
3. Scroll down through menus or functions.
4. Execute the function which you select.
5. Cancel the function which you select.

After turning the power on, the **CoolCopyD** DVD Duplicator will execute a self test for a few seconds. After the self testing procedure runs, the LCD will show:

1. CoolCopyD3: CoolCopyD7:

CD Duplicator
1-3 ver: 1.10B

CD Duplicator
1-7 ver: 1.10T
2.

Initialize SDRAM.....
3.

Detect Drives.....
4.

1. Copy

Two main operation procedures

If you install a 3.5" hard disc, the operation procedures is as the following screen shows:

1. With hard drive installed
 - Once duplicator detects a hard disc, it will ask if you want to format or not. A 10GB hard disc can be divided into 10 partitions.
 - Use the Select Source to set the hard drive as the target source.
 - Then select which partition to store the data in function 9 "Image."
 - If there is no data stored in partition, place a source DVD into DVD-ROM and use function 9-01 Load to transmit data from DVD into selected partition by pressing ENT. Different data can be stored in different partitions.
 - Switch to function 1, Copy, by pressing the arrow button. Place blank DVD-R or DVD-RW discs into the DVD writers. Press "ENT" button to start copying.
 - When a Copy completes, the passed (correctly copied) DVD discs will be ejected automatically. The default setting is for the discs to be ejected automatically, but this can be changed.

- Failed discs will remain in writers. The default setting is to keep failed discs in the writers, but this can be changed. Press the buttons on the drivers to take the failed DVDs.
- During the duplication process do not press any button because interruption will harm the device. DVDs will be damaged.

2. Without a hard drive installed

If you don't install a 3.5" hard disc, the operation procedures will be as follows:

- Place the master disc in the DVD-ROM.
- Switch to function 1, Copy, by pressing arrow button. Place blank DVD-R or DVDRW discs into all the DVD writers. Press ENT to start.
- When Copy completes, the passed DVDs will eject automatically. The default is to eject automatically, but this can be changed.
- Failed DVDs will remain in the writers. The default is keeping failed DVDs in the writers, but you can change it. You need to press the "eject" buttons on the writers to take the failed DVDs.

ATA-66 Cable Layout:

Please identify the two different kinds of cable before the hardware installation.

Chapter 4 Function

4.1 Copy

Use this function to copy data from a source DVD directly onto blank DVD discs. Before copying make sure that the source DVD is placed into DVD-ROM. If you have a HDD, make sure there is data in your HDD partition. If you are not sure about the success of your duplication job, you can use function 2 Test to simulate the copying process first.

Select function 1. Put a source DVD into DVD-ROM and blank DVD disks into DVD writers. DVD rewriteable discs containing old data are usable, too.

LCD will show the process of copying information as the following screen:

Copying-24X 0%
650.0MB 74:00

When copying is completed, the LCD will display as the following screen:

Discs correctly copied will be ejected automatically and failed ones will remain in the writers.

1. Copy
OK: 03

4.2 Test

Function 2 Test will simulate the copying process. When the simulation completes, the discs will remain blank.

Press ENT button to start the disc simulation.

2. Test

If you use DVD rewriteable discs that contain data, the old Data will be quickly erased before simulation.

The LCD will show the testing Information as the following screen:

Testing-24X 0%
650.0MB 74:00

When the process is finished, the LCD will show the message as the following screen:

2. Test
OK: 03

Stopping the test halfway does not affect the DVD discs. However, if the DVD rewriteable discs contain important data, the information may be erased.

4.3 Test&Copy

Function 3 Test & Copy is to test first and then actually copy.

3.Test & Copy

Select Function 3. Put a source DVD into DVD-ROM and blank DVD discs into the writers.

Testing-24X 0%
650.0MB 74:00

Press ENT to start simulation. LCD will show the information as the following screen:

Copying-24X 0%
650.0MB 74:00

After the tests finishes, actual copying will begin as the following screen shows:

3. Test & Copy
OK: 03

When the entire process finishes, the LCD will show the information as the following screen:

4.4 Verify

Function 4, Verify, examines whether the target DVDs can be read correctly after copying.

Press ENT button to verify. The LCD will show as the following screen:

4. Verify

The LCD will show verification information as the following screen:

Verify--24X 0%
650.0MB 74:00

When the verification process is finished, the LCD will display the result as such:

4. Verify
OK: 03

4.5 Compare

Function 5, Compare, allows you to make a comparison between the source and the target DVDs after copying.

Select Function 5. Put the source DVD into DVD-ROM and the target DVDs into DVD writers.

5. Compare

Press ENT to compare. LCD will show the comparison information as the following screen:

Compare-24X 0%
650.0MB 74:00

When comparison completes, the LCD will show as the following screen:

Compare OK: 3
Fail: 0 Diff: 0

Press ENT to see the details of source 1. If the comparison is identical, the LCD will show the message as the following screen:
If the comparison result is identical, the LCD will show as the following screen:

Src: 01 CD-ROM
Total: 650.0MB

Src: 02 DVD+RW
Identical

If comparison fails, the LCD will show failure.

Compare OK: 2
Src: 01 CD-ROM
Total: 0 Bytes

Press ENT to see comparison information.

Src: 02 DVD+RW
TOC not match

If the comparison fails, the LCD will show failure. By pressing ENT twice, the LCD will show the contents of source 1 and those of source 2 do not match as the following screen:

4.6 Prescan

Use the prescan function to scan the source DVD for precise readability and also tests the reading speed.

Select function 6. Put the source DVD into the DVD-ROM.

6. Prescan

Press ENT to prescan, LCD will show the scanning information as the following screen:

Scanning-24X 0%
650.0MB 74:00

If the master disc can be read correctly, the source DVD will have no problems. The LCD will show the following screen:

PreScan OK!

If the master disc cannot be read correctly, the LCD will show the following screen:

PreScan Fail!

4.7 Disc Info

Function 7, Disc Info, shows the basic information of the source DVD.

Select Function 7. Place source DVD into DVD-ROM.

7. Disc Info

Press the ENT button to show the disc information. The LCD will show the total sessions and tracks on the master disc.

Total 02 Sessions
Total 10 Tracks

Press the ENT button again, the LCD will show the total time and capacity on the master disc as such:

Total: 74:00
Total: 650 MB

Press the ENT button again and use the arrow button to select the session. The LCD will show the information contained in the session as such:

Session 01
Track 01 - 09

Press the ENT button again and use the arrow button to select the track. The LCD will show what information is contained on the track.

Track 01
AUDIO 03:54

4.8 Select Source

Function 8, Select Source, lets you select the data on the DVD-ROM, DVD writers or HDD as the source from which you intend to copy.

8. Select Source

Select function 8.

Press ENT and then use the arrow button to select the source.

Src: CD-ROM
01 IDE0 Slave

After selecting the source, press ENT and LCD will show the following screen:

CD-ROM selected!

Note: Suppose you select HDD as the source and try to copy from one of its partitions, but the partition contains no data. An error message will then appear on your LCD. From here, you can switch to another partition that contains no data or use function 9 Image to load the data into the chosen partition first.

4.9 Image

Function 9, Image, is only valid when you have installed a hard drive.

Select function 9. Press ENT.

9. Image

4.9.1 Load

Place the master DVD disc into the DVD-ROM or any one of the DVD writers, the duplicator will detect and analyze the master DVD.

Here the function "Load" will allow you to load data from the DVD-ROM or any DVD writer into the current partition of the hard disc. P:A means Partition A.

9-01.Image P: A
Load

Press ENT to load. The LCD will show the loading information.

Load- A -24X 0%
650.0MB 74:00

When the image has successfully loaded, the LCD will show as the following screen:

Image load OK

If there is an image file existing in the current partition, the system will ask whether you want to overwrite. Use arrow button to make "Yes" or "No" selection.

Image Exists
Overwrite?Yes

4.9.2 Delete Image

If you want to empty an image file stored in a particular partition, you can use the function Delete Image to do so.

Select function by pressing arrow.

9-02. Image P: A
Delete Image

The system will ask if you are sure you want to delete. Use arrow button to make "Yes" or "No" selection.

Delete Image in
Partition A?Yes

When the image is successfully deleted from the hard drive, the LCD will show the following message:

Partition A:
Image is deleted

4.9.3 Image Info

This function shows the basic information of an image file stored in a particular partition.

Press ENT to show the disc information.

9-03.Image P: A
Image Info

The LCD will show the total sessions and tracks in the partition.

Total 01 Sessions
Total 01 Tracks

Press ENT again. The LCD will show the total time and capacity in the hard drive of partition.

Total: 74:00
Total: 650 MB

Press ENT again and use the arrow button to select the session. The LCD will show the information in the session.

Session 01
Track 01 - 01

Press ENT again and use arrow button to select the track. The LCD will show track information.

Track 01
DATA 650.0MB

4.9.4 Compare Image

Use this function to compare the contents of the source DVD and those of the image file in the partition. First select the function by pressing the arrow.

Press ENT and LCD will show the comparison information as such:

9-04. Image P: A
Compare Image

LCD will then show the following message:

Comp-A-24X 0%
650.0MB 74:00

When the process is finished, the LCD will display the results as such:

Compare OK: 1
Fail: 0 Diff: 0

Press ENT to view the comparison details.

Src: 01 CD-ROM
Total: 650.0MB

If the comparison is identical, the LCD will show the message as such:

Tgt: 00 HDD P:A
Identical

If comparison fails, the LCD will show the number of discs that have failed and succeeded.

Compare OK: 0
Fail: 1 Diff: 0

Press ENT to see the comparison information.

Src: 01 CD-ROM
Total: 0 Bytes

If the comparison fails, the LCD will show the following message:

Src: 02 DVD+RW
TOC not match

4.9.5 Select Partition

This function, select Partition, allows you to select a partition in the hard disc.

Press ENT button to change the setting.

9-05. Image P: A
Select Image

After installing a hard disc, the duplicator will format it automatically. Each partition occupies 1GB. The number of partitions is dependent on the hard disc's capacity. The partitions are alphabetically arranged.

Use the arrow button to select which partition will be worked.

Select Working
Partition - A

When the partition is set, the LCD will show the following screen:

Set Partition to
A

4.9.6 Select Src Drive

This function allows you to select the DVD-ROM or any DVD writer as the source from which you can load data into a particular partition as an image file.

Press ENT and the arrow button to select the source.

9-06. Image P: A
Image Src Drive

Select Img Src:
01 IDE0 CD-ROM

Load image from
Drive ID-01

Then use the arrow button to select the disc as the master source.

After selecting the source, press ENT.
The LCD will show will show the following message:

4.10 Edit Track

Function 10 Edit Track allows you to edit a collection of favorite songs from CDs. You're able to collect different tracks or songs on a number of CDs and merge them onto a single CD. This process can be divided up into four parts: CD to CD, CD to HDD, Play Audio Track and Close Session.

Press ENT and use the arrow button to select function 10.

10. Edit Track

4.10.1 CD to CD Edit

Select "CD to CD Edit" to select one or more tracks from CD-ROMs and then copy onto blank CD-R/RWs.

Press ENT to change setting.

10-01. Edit Track
CD to CD Edit

Follow the LCD to select the track that you want to edit.

Select Track:
1/10 03:25

Press ENT to select the track. After the track is selected, the "+" will appear beside 1/10 as shown. Pressing ENT again will cancel the track.

Select Track:
+1/10 03:25

When the track selection is made, use the arrow button to move to the End menu.

Select Track:
End 1Trk03:25

Press ENT to finish the disc editing. Use the arrow button to make "Yes" or "No" selection.

End edit disc
and burn?Yes

The LCD will then show the following screen:

Copying- 24X Edit
1/10 - > 1/1

When copying ends, the LCD will show the following message:

Burn Complete!
OK: 03

The system will ask if you want to continue editing. Use the arrow button to make a "Yes" or "No" selection

Continue edit
next Disc?Yes

If "Yes" is selected, the source disc will be automatically ejected. Insert another disc.

Insert next disc

Follow the steps to select the track that you want to edit. Then press ENT.

Select Track:
+2/10 04:25

When the track selection is made, use the arrow button to move to the "End" menu.

Select Track:
End 2Trk07:50

Press the ENT button to finish disc editing. Use the arrow button to make a "Yes" or "No" selection.

End edit disc
and burn?Yes

The LCD will show will show the following message:

Copying- 24X Edit
1/10 - > 2/2

The 2/2 symbolizes the second track of all tracks you have selected. So far you have selected two tracks from two different CDs.

When copying ends, the LCD will show the following message:

Burn Complete!
OK: 03

System will ask you whether you want to continue editing. Use the arrow button to make a "No" selection then press ENT.

Continue edit
next Disc?No

The system will ask to close the disc session. Use the arrow button to make "Yes" or "No" selection.

Close all disc's
session? Yes

The LCD will show the closing session as such:

Closing Session
Please wait---

4.10.2 CD to HDD

This function lets you select one or more tracks from DVD-ROM and then copies into a certain partition of the HDD.

Press ENT to enter the setting.

10-02. Edit Track CD to HDD Edit

Follow the LCD to select the track that you want to edit. Here 1/10 means the number one of 10 tracks and 3:25 means the playing time.

Select Track: 1/10 03:25

Press ENT button to select the track. After the track is selected, the "+" will appear. Pressing ENT again will cancel the track.

Select Track: +1/10 03:25

When the track selection is made, use the arrow button to move to the "End" menu.

Select Track: End 1Trk03:25

Press ENT to finish the disc editing process. Use the arrow button to make a "Yes" or "No" selection.

End edit disc and burn?Yes

The source will be loaded to the hard drive. The LCD will show the loading information as such:

Load- P0 -24X Edit 1/10 - > 1/1

When "Image Load" is finished, the LCD will show the message as such:

Image load OK

The system will ask if you want to continue editing. Use the arrow button to make a "Yes" or "No" selection.

Continue edit next Disc?Yes

If "Yes" is selected, the source disc will be automatically ejected. Insert another disc.

Insert next disc

Follow the steps to select the track that you want to edit. Then press the ENT button.

Select Track: +2/10 04:25

When the track selection is made, use the arrow button to move to the "End" menu.

Select Track: End 2Trk07:50

Press the ENT button to finish disc editing. Use the arrow button to make a "Yes" or "No" selection.

End edit disc and burn?Yes

The track will be loaded as an image file to the hard drive. LCD will show the following screen:

Load- P0 -24X Edit 1/10 - > 2/2

When loading is finished, the LCD will show the following message:

Image load OK

The system will ask you whether you want to continue editing. Use the arrow button to make a "Yes" or "No" selection. Select "No" to go to the next step.

Continue edit next Disc?No

The system will ask you if you want to burn from HDD into

CD-R/RW or move into partition. Selecting "Burn" will start the process.

Burn or Move to
Partition?Burn

The LCD will show the copying information as such:

Copy- P0 -24X 0%
1/2 Trk03:25

When burning is finished, the LCD will show the following screen:

Burn Complete !
OK: 03

Selecting Move will move the data from the hard drive template to a certain partition.

Burn or Move to
partition? Move

Select the partition that the data will move into by pressing the arrow.

Select Partition
A

The LCD will show the moving information as such

Moving to P: A

When moving is finished, the LCD will show the following message:

Moving to P: A
OK!

If the chosen partition contains image data, the system will ask to overwrite it. Select "No" to keep the data image or "Yes" to overwrite it.

Image Exists
Overwrite?Yes

The LCD will show the moving information as such:

Moving to P: A
0%

When moving is finished, the LCD will show the message on the following screen:

Moving to P: A
OK!

4.10.3 Play Audio Track

This function allows your machine to be utilized as a music player. All you have to do is plug in an AV terminal in the audio port on the back of the device.

Press ESC and the arrow button to enter the play audio function.

10-03. Edit Track
Play Audio Track

Use the arrow button to select a track you are going to play.

Select Track:
1/10 03:25

Press ENT and the LCD will display the playing information as the following screen:

Playing Track-1
00:00 / 03:25

4.10.4 Close Session

Select "Close Session" will close the disc and restrict data writing. This function allows discs to be read on any normal player.

Press ESC and the arrow to select the function.

10-04. Edit Track Close Session

Press ENT. The system will ask whether you want to close. After this step, the data cannot be written onto the disc.

Close all disc's session? Yes

The LCD will show the message as the following screen:

Closing Session Please wait---

When you are finished closing the session, the LCD will show the following message:

Closing Complete

4.11 Setup

This function allows you to change default settings. It is suggested that you use default setting for optimal performance.

Press ENT button to enter the Setup function.

11. Setup

4.11.1 Language (optional)

Here are the available languages on the LCD: English, Traditional Chinese, Simplified Chinese and Japanese.

Press ENT to change the setting and ESC to exit.

11-01. Setup Language

4.11.2 CD Burn Speed

This setting controls the burning speed of CD writers. Default setting is "Auto," which will use the highest writing speed of the writers.

Press ENT to enter the setting.

11-02. Setup Burn Speed

Use arrow button to change the burning speed then press ENT.

Burn Speed 24X

* The DVD Burn Speed lets you control the burning speed of DVD writers. Press ESC to enter this function. Then press ENT to view the default setting, which is at maximum.

4.11.3 Read Speed

This function lets you control the reading speeds of target CDs.

Press ENT to enter the setting.

11-03. Setup Read Speed

Use the arrow button to change the reading

Read Speed 32X

speed then press ENT. The default is maximum. Other choices are 32X, 16X and 8X.

4.11.4 Auto Start Drive

This function automatically tests or copies once you put the blanks discs into the writers.

Press the ENT button to enter Auto Start Drive.

11-04. Setup
Auto Start

Use the arrow button to change either the number or the "Off" setting. Then press ENT or ESC to go back to the 11-04 menu.

Auto Start
Drive

4.11.5 Start up menu

This setting lets you select any one of the functions, except Adv Setup, as the first item to appear on the menu when you turn on your device.

Press ESC button to enter Startup Menu and ENT to enter the following figure:

11-05. Setup
Startup Menu

Use the arrow button to select other function setting, which would be the first setting to appear when device is turned on. Then press ENT.

Startup Menu
1.Copy

4.11.6 Auto Verify

This setting allows you to automatically verify if target DVDs can be read after copying.

Press the ENT button to enter the following figure:

11-06. Setup
Auto Verify

Use arrow button to change "On" or "Off" setting. Then press ENT or press ESC to return to the 11-06 menu.

Auto Verify
Off

4.11.7 Auto Compare

This setting allows you to automatically compare the source DVD and target DVDs after copying. Press ESC button and arrow to enter the setting.

11-07. Setup
Auto Compare

Use the arrow button to change the "On" or "Off" setting. Then press ENT to go back to the 11-07 menu.

Auto Compare
Off

4.11.8 Auto Prescan

This setting allows you to automatically scan if the source DVD can be read correctly and also tests the reading speed.

Press the ENT button to enter Auto Prescan.

Use the arrow button to change the “On” or “Off” Setting.
Then press ENT or press ESC to return to the 11-08 menu.

11-08. Setup Auto Prescan
Auto Prescan Off

4.11.9 Eject Disc

The Eject disc setting allows three choices: Eject Good Only, Eject All Disc and Do Not Eject.

Press ENT button to enter the following figure:

Use the arrow button to select Eject Good Only.
Then press ENT or press ESC to return to the 11-09 menu.

11-09. Setup Eject Disc
Eject Disc Eject Good

Use the arrow button to select Eject All Disc,
then press ENT or press ESC to return to the 11-09 menu.

Eject Disc Eject All Disc

Use the arrow button to select Do Not Eject. Then press
ENT or press ESC to go back to the 11-09 menu.

Eject Disc Do Not Eject

4.11.10 Burn on the Fly

This setting lets you control the burning methods. When the setting is “On”, the data will copy directly from source drive to the target drives. When the setting is “Off”, the data will load into a partition of the hard drive first. Then, the copying will be completed.

Press ENT button to enter Burn On The Fly.

Use the arrow button to change the On or Off
setting. Then press ENT or press ESC to return to
the 11-10 menu.

11-10. Setup Burn On The Fly
Burn On The Fly On

If the system does not have a hard drive connected,
the LCD will show the following message:

There is no HDD !

4.11.11 Burn Mode

This setting lets you control the burning methods. There are two modes: Disc At Once (DAO) or Track At Once (TAO). Default setting is DAO. Some DVD writers may support different writing methods. If the method selected is not supported, duplicator will automatically switch to the other one.

Press the ENT button to enter Burn Mode.

11-11. Setup
Burn Mode

Use the arrow button to change TAO or DAO mode setting. Then press ENT or press ESC to return to the 11-11 menu.

Burn Mode
DAO

4.11.12 Button Sound

This setting allows you to control the sound when you press it.

Press the ENT button to enter Button Sound.

11-12. Setup
Button Sound

Use the arrow button to change On or Off setting. Then press ENT or press ESC to return to the 11-12 menu.

Button Sound
On

4.11.13 Device Info

This function shows the information of the DVD-ROM and any DVD writer you have installed.

Press the ENT button to enter the device information.

11-13. Setup
Device Info

Use the arrow button to select the device or press ESC to go back 11-13 menu.

00 IDE0 Master
CD-ROM : TEAC

Press the ENT button to see the device information and ESC to return to the 11-13 menu.

CD-540E
3.0A

Use the arrow button to select another device or press ESC to return to the 11-13 menu.

01 IDE1 Master
DVD+RW :

Press the ENT button to see the device information and ESC to return to the 11-13 menu.

CD-R PX-W2410A
1.01

Use the arrow button to select another device or press ESC to return to the 11-13 menu.

02 IDE2 Master
DVD+RW :

Press the ENT button to see the device information and ESC to return to the 11-13 menu.

CD-R PX-W2410A
1.01

Use the arrow button to select another device or

press ESC to return to the 11-13 menu.

03 IDE2 Master
DVD+RW :

Press ENT to see the information and ESC to return to the 11-13 menu.

CD-R PX-W2410A
1.01

4.11.14 System Info

This function shows the information of the system.

Press ENT button to enter the System Info and see the information. Press ESC to exit.

11-14. Setup
System Info

The CoolCopyD3 information will look like this screen:

CD Duplicator
1-3 ver: 1.10B

SST: 39SF020
2001 / 11 / 16

The CoolCopyD7 information will look like this screen:

CD Duplicator
1-7 ver: 1.10T

WINBOND: W49F002U
2001 / 11 / 16

4.11.15 Quick Erase

This function will quickly erase the data on the disc.

Press the ENT button to enter the Quick Erase and ESC to exit.

11-15. Setup
Quick Erase

Use the arrow button to confirm whether you want to erase the data. Select either the "Yes" or "No" setting. Then press ENT or press ESC to return to the 11-15 menu.

All data will be
lost, erase? Yes

LCD will show the information as such:

Erasing disc
00:24 (Quick)

When the erasing disc function is finished, the LCD will display as such:

Quick Erase
OK:01 Fail:00

4.11.16 Full Erase

This function is to completely erase the data on the DVD rewriteable discs.

Press ENT to enter the Full Erase.

11-16. Setup
Full Erase

Use the arrow button to select "Yes" or "No." Then press ENT or ESC to return to the 11-16 menu.

All data will be
lost, erase? Yes

LCD will show the information as the following screen:

Erasing disc
03:24 (Full)

When finished, the LCD will show the following message:

Full Erase
OK:01 Fail:00

4.12 Adv Setup

This function allows you to change the system configuration. Changes should be made only when you are fully familiar with the function. To enter the function, please **press "ESC" button for 2 seconds**.

4.12.1 UnderRun Protect

This function lets you control the Buffer Under Run Protection settings, such as Burn Proof, SafeBurn, JustLink, Seamless Link, etc.

Press the ENT button to enter UnderRun Protect.

12-01. Adv Setup
UnderRun Protect

Use the arrow button to change the Setting. Then press ENT or ESC to return to the 12-01 menu.

UnderRun Protect
On

4.12.2 Overburn

This setting lets you decide whether to copy beyond the limit of the DVD or not.

Press the ENT button to enter Overburn.

12-02. Adv Setup
Overburn

Use the arrow button to change the On or Off setting. Then press ENT or ESC to return to the 12-02 menu.

Overburn
On

4.12.3 Read Error Skip

This function allows you to neglect any error that occurs during copying. You can use this function to copy some defective DVDs.

Press the ENT button to enter Read Error Skip.

12-03. Adv Setup
Read Error Skip

Use the arrow button to change the setting. Then press ENT or ESC to go back to the 12-03 menu.

Read Error Skip
Off

4.12.4 Format Hard Disk

This function allows you to partition the hard drive.

12-04. Adv Setup
Format HDD

Press the ENT button to enter Format HDD.

Use the arrow button to change Yes or No setting. Then press ENT or ESC to go back to the 12-04 menu.

All data will be lost, format? Yes

If the system does not connect with hard drive, the LCD will show the following message:

There is no HDD!

4.12.5 Verify HDD

This function verifies whether or not the hard disc or any of its partitions is working well.

Press ENT to enter Verify HDD.

12-05. Adv Setup
Verify HDD

Use the arrow button to change setting to Disk. Then press ENT or ESC to go back to the 12-05 menu.

Verify Disk or Partition? Disk

Use the arrow button to change setting to Parti. Then, press ENT or ESC to go back to the 12-05 menu.

Verify Disk or Partition? Parti

4.12.6 Burn-in

This function is a burn-in test, which will simulate the copying process multiple times. After each cycle, the DVDs on the DVD writers will be ejected automatically and re-inserted again for continuous testing.

Press the ENT button to enter Burn-in. The data will not be written on the blank DVD discs and the discs will remain blank after the test.

12-06. Adv Setup

Burn-in
Test

Use the arrow button to change the RunContinuous, "1~10", "10~100", "100~1000" setting. Press the ENT or ESC button to go back to the 12-06 menu.

Sel burn-in num:
Run Continuous

The system will repeat to erase and write on the DVD-RW discs. Only DVD-RW discs can be rewritten.

Burn-in
Erase&Copy

Use the arrow button to change the RunContinuous, "1~10", "10~100", "100~1000" setting. Press the ENT or ESC button to go back to the 12-06 menu.

Sel burn-in num:
Run Continuous

4.12.7 Update Firmware

This function will update your firmware to the latest version. Place the DVD disc, which contains the latest firmware data (firmware DVD disc), into the DVD-ROM drive and the duplicator will find

the data and update its firmware automatically. During updating, do not turn off the power of machine because the update will not be finished until machine resets itself.

The Update Firmware function updates firmware to the latest version.

2. Unzip the firmware you have and write the file “**cdxxx.bin**” into the root directory of a blank DVD-R or DVD-RW disc. You have to close the DVD session. If the same DVD disc still has capacity to add more data, it can be used to store newer versions of the firmware. When updating the firmware program from the DVD, only the one from last session will be used. Versions from previous sessions will be ignored.

Select the source drive to the DVD-ROM first! Then press the ENT button to enter UpdateFirmware.

12-07. Adv Setup
Update Firmware

The system will search the new firmware from the DVD and the LCD will show the process as shown here: When the new firmware is found, press the ENT button. The system will update it.

Searching F/W---
XXX/XXXXX

4.12.8 Compare Firmware

This function will help you compare the current control firmware version with the updated version when the firmware disc is placed into the DVD-ROM.

Press the ENT button to enter Compare Firmware.

12-08. Adv Setup
Compare Firmware

4.12.9 H/W Diagnostic

This function will detect what devices are connected with the control. The LCD will display the hardware information.

Press the ENT button to enter H/W Diagnostic.

12-09. Adv Setup
H/W Diagnostic

The LCD will ask the user to do the button test. Following the LCD instruction, test each function button.

▼▲ Enter ESC
Hold ESC to exit

After the button function testing, the system will perform the SDRAM self-test, the hardware connecting test, and the flash test. Every testing process will be shown on the LCD. It just takes a few minutes to get the results of hardware diagnostics. It is an easy way to know if the system works properly.

When testing is finished, the LCD will show the “Test finished” message. Press the ESC button to go back to the 12-09 menu.

Test finished

4.12.10 Load Default

This function will reset any previous settings back to the factory's default setting. Different settings will cause duplicator to react differently.

Press the ENT button to enter Load Default.

Use the arrow button to change settings. When "Yes" is selected, the duplicator will return to its factory's default setting.

The LCD message will show that the setting has been changed with the following message:

12-10. Adv Setup
Load Default

Load Default
Config? Yes

Load Default
OK

Chapter 5 Trouble Shooting

1. There's no display on the LCD or the unit does not operate when you power on.

- Please check the power cable connection and that the power outlet is normal.
- Turn off the power of the machine, open the case of duplicator, and check if there are any problems with the power cable.

2. The LCD shows the Error message.

- During an operation such as Copy, Test, Compare and Verify, you can press the ESC button to abort the operation. An Error message will be shown on the LCD. Some DVD writers will cause the duplicator to reset. You will need to re-start the power to get the duplicator to function properly.
- A failed reading may cause an error message to show on the LCD display. Change the master DVD and try again.
- During the operation, if message shows error read, buffer under run or writing error occurs, the LCD will show an error message like: Pass xx, failed xx.
- If there is no device connected and detected by duplicator during power-on, the duplicator will show an error message on the LCD before entering the main menu.

3. The DVD-ROM cannot read disc and shows error message.

- Check the format of the master DVD or master DVD itself for damage.
- Use any of the DVD-Writers to read the master. If it works, the DVD-ROM may be defective or incompatible with the DVD-ROM.

4. The buttons do not function.

- May still be busy on task.
- Button malfunction.
- Faulty board.

5. Copy is completed but DVD-R disc is not readable / executable?

- Use the compare function to check.
- Insert into another DVD-ROM drive to test.

6. The failure rate is high.

- Lower the speed of the DVD-Writers and try again.
- The quality of blank disc is poor.
- Check for latest firmware version.

- Check the DVD-Writer's maximum writing speed. If you want to copy at 24X writing process or higher, please copy to hard drive first and then to DVD.

7. It cannot boot-up or fails to upgrade firmware.

- Contact your dealer to solve the problem. Please note you may be charged for this.
- Check whether the BIOS program is correct. Customers tend to download the wrong program or simply write the zipped file to the CD. You should unzip the file before writing it onto the CD.
- A failed upgrade might cause a failed boot up. This can only be solved by returning the control board to the agent or factory directly. It is not necessary to return the entire system after a failed upgrade.

8. It cannot find the "12. Adv Setup" function.

- Press the ESC button for 2 seconds to enter the Adv Setup.

9. To cancel the duplicator working process.

- Press the ESC button for 2 seconds to cancel any Copy, Test, or Verify etc. function while the job in progress.